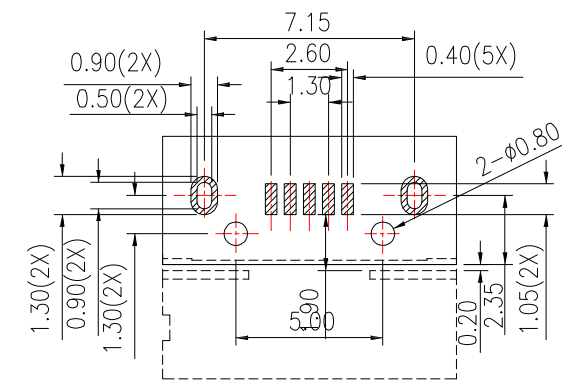
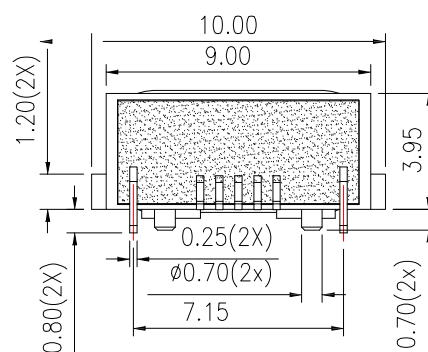
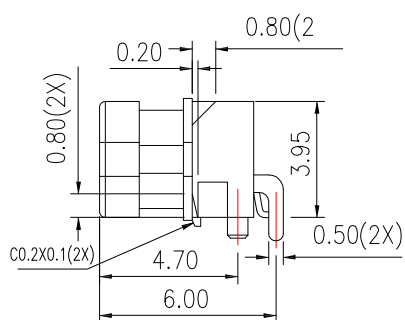
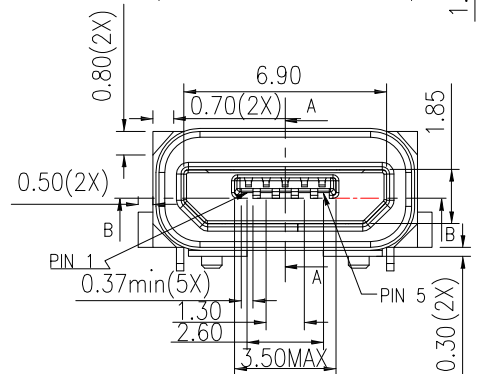
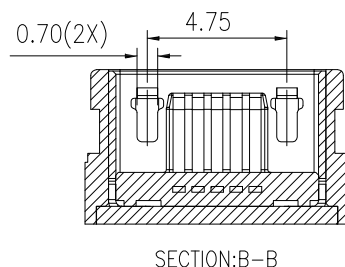
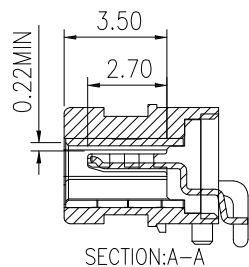
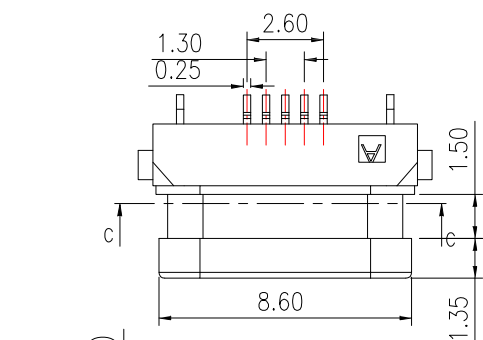


IPX7

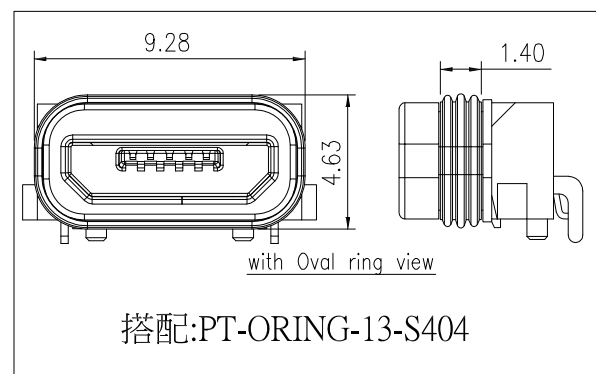
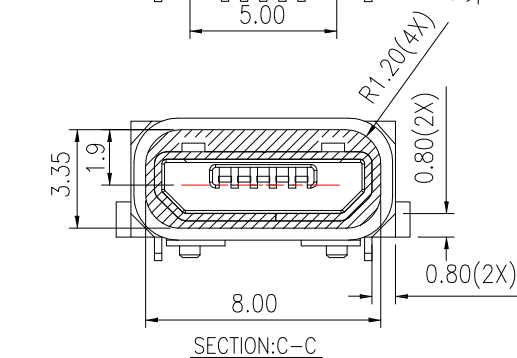
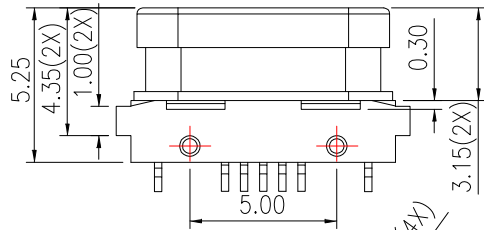


P.C.B LAYOUT MOUNTING PATTERN

MRUSB-5B-WP17-x-S404

鍍層厚度:

Blank	: 1u"
2	: 15u"
3	: 30u"



搭配:PT-ORING-13-S404

- NOTES:
- MATERIAL:
- 1.1 HOUSING: PA9T
 - 1.2 CONTACT: COPPER ALLOY
 - 1.3 SHELL: SUS
- FINISH:
- 2.1 CONTACT: PLATED GOLD IN MATING AREA ;
TIN PLATED ON SOLDER BALLS ;
NICKEL UNDER PLATED OVERALL
 - 2.2 SHELL: NICKEL UNDER PLATED SURFACE LAYER
- 3.SPECIFICATION:
- 3.1 RATING: 1.8A(PIN1&5) , 0.5A(PIN2&3&4)
 - 3.2 DIELECTRIC WITHSSTANDING VOLTAGE: 300 VAC
 - 3.3 CONTACT RESISTANCE: 30 mΩ MAX.
 - 3.4 INSULATION RESISTANCE: 100 MΩ MIN.



TOLERANCE UNLESS OTHERWISE STATED:

Up to 5	±0.2
Above 5 ~ 15	±0.3
Above 15 ~ 30	±0.4
Above 30 ~ 50	±0.5
Angle	±0.3°

3RD. ANGEL'S

UNITS MM

DRAWN BY:	DATE	MAT'L	TITLE	CONNECTOR
Jack Lu	07/22/20			
CHECKED BY:	DATE	FINISH	MODLE	MICRO USB 5PF B TYPE H 3.95 防水型 IPX7
Jacky Chen	07/22/20			
APPROVED BY:	DATE	SCALE	DWG NO.	MRUSB-5B-WP17-x-S404
Tony Kao	07/22/20	1 : 1	PART NO.	MRUSB-5B-WP17-x-S404
		SHEET NO.	1 of 2	SIZE A4
				VER R

ITEM NO.	DESCRIPTION	DRAWN	DATE